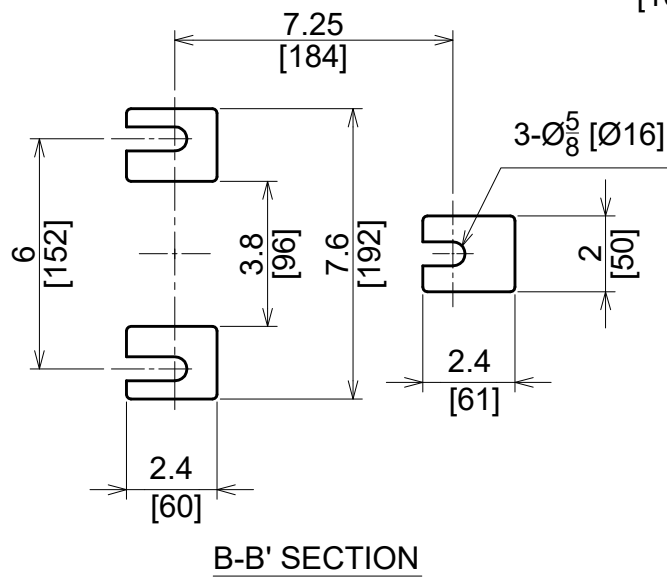


MOTOR	K	L	A
213TC	6.5	10.9	1.6
215TC	[165]	[279]	[41]
254TC	10.1	21.5	2.2
256TC	[256]	[545]	[57]
284TSC	13	39.4	1.5
	[330]	[1000]	[38]



Note : The K and L dimensions differ according to motor horse power and motor manufacture.

CUSTOMER	SCALE (A3) 1 : 5	UNIT Inches [mm]	PROJECTION
NAME DIMENSIONAL DRAWING TEXEL MTA-1518	DATE FEB. 2022	JOB.No.	FILE.No. A15-E02A
	APPROVED BY M. Ueoka	CHECKED BY M. Ueoka	DRAWN BY T. Tabata
	DWG. No.	REV. P-57021C	