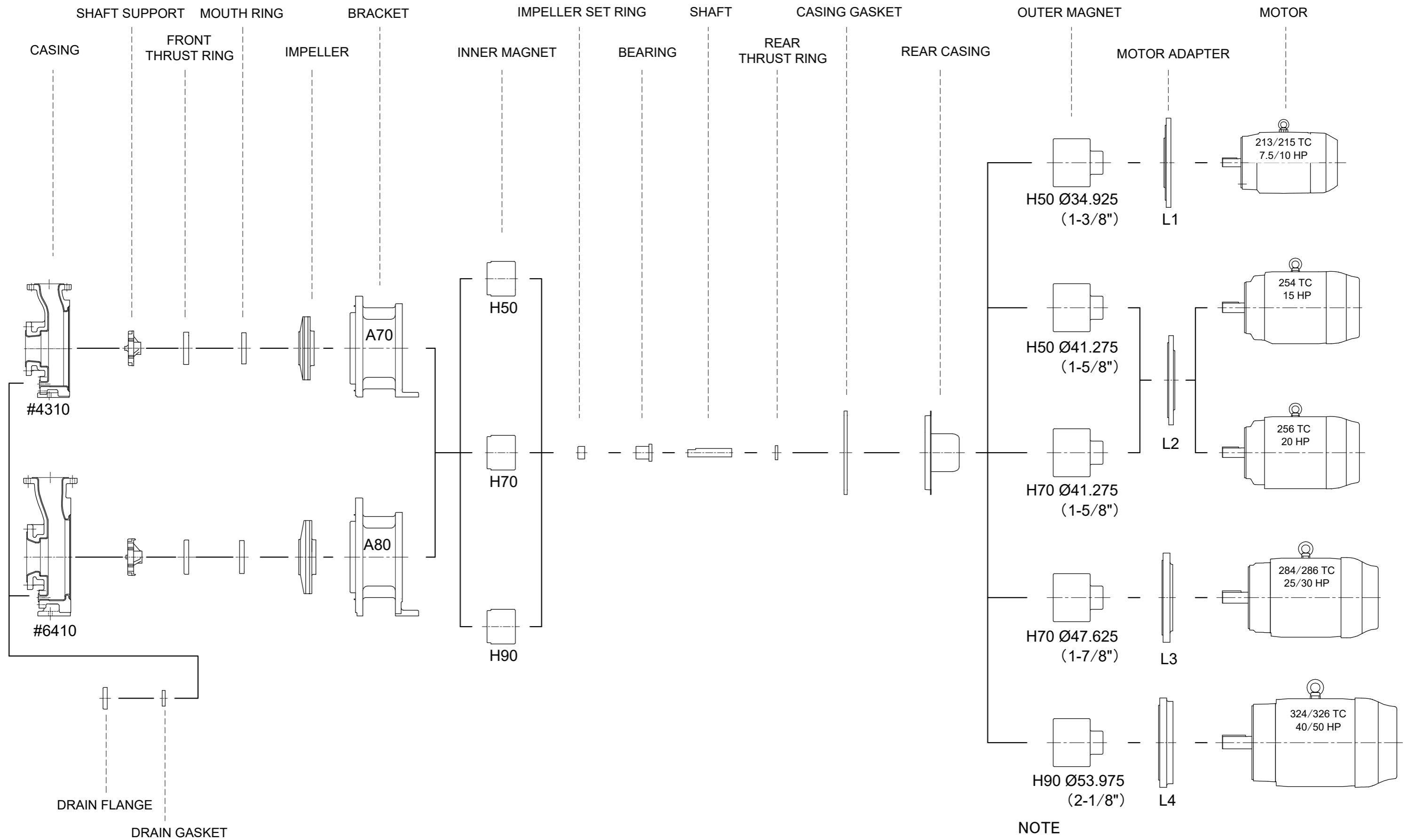


INTERCHANGEABILITY CHART **[Large MTA] 60 Hz**



NOTE
Motor type : TEFC - w/o foot - C face Flange