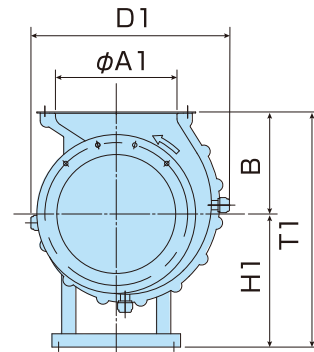
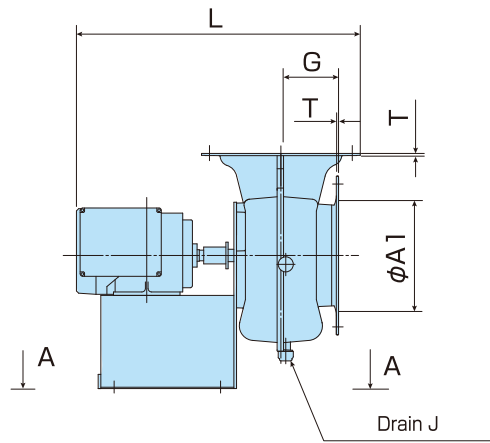
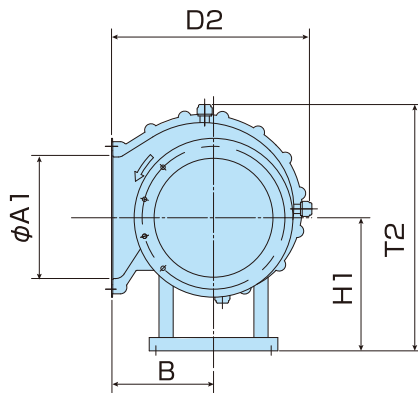


DIMENSIONS

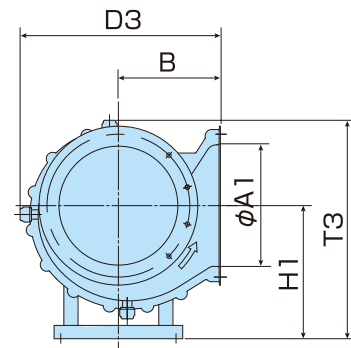
CES101D·151D·201D



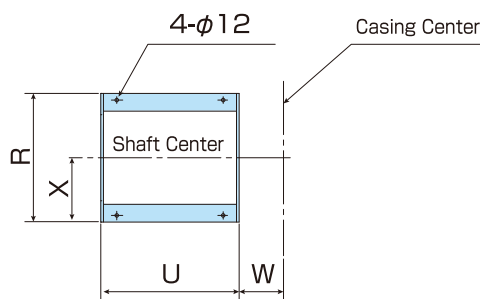
RH



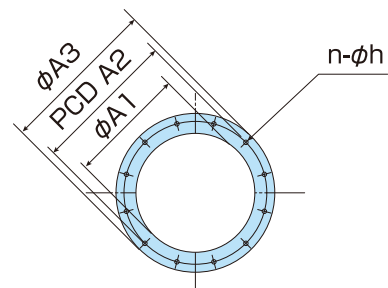
RR



RL



A-A



DISCHARGE

MODEL	CASING BODY									FLANGES					
	L	H1	B	D1	D2	T1	T2	T3	G	$\phi A1$	PDC A2	$\phi A3$	n	h	T
CES101D	25.3	11.8	9.1	20.3	19.0	20.9	21.9	19.4	5.1	10.6	12.7	14.1	12	0.4	0.1
CES151D	29.5	15.0	11.8	22.9	22.8	26.8	27.6	24.4	6.3	12.6	15.0	16.6	16	0.5	0.1
CES201D	33.5	19.7	15.7	27.9	29.6	35.4	35.7	31.4	7.9	16.6	19.0	20.5	20	0.6	0.1

MODEL	BASE				BODY WEIGHT(b)
	R	U	W	X	STANDARD
CES101D	11.4	12.3	3.9	5.7	35.3
CES151D	11.4	12.0	6.6	5.7	41.9
CES201D	14.6	12.8	7.9	7.3	79.4

※BODY WEIGHT : Not Including Motor Weight.