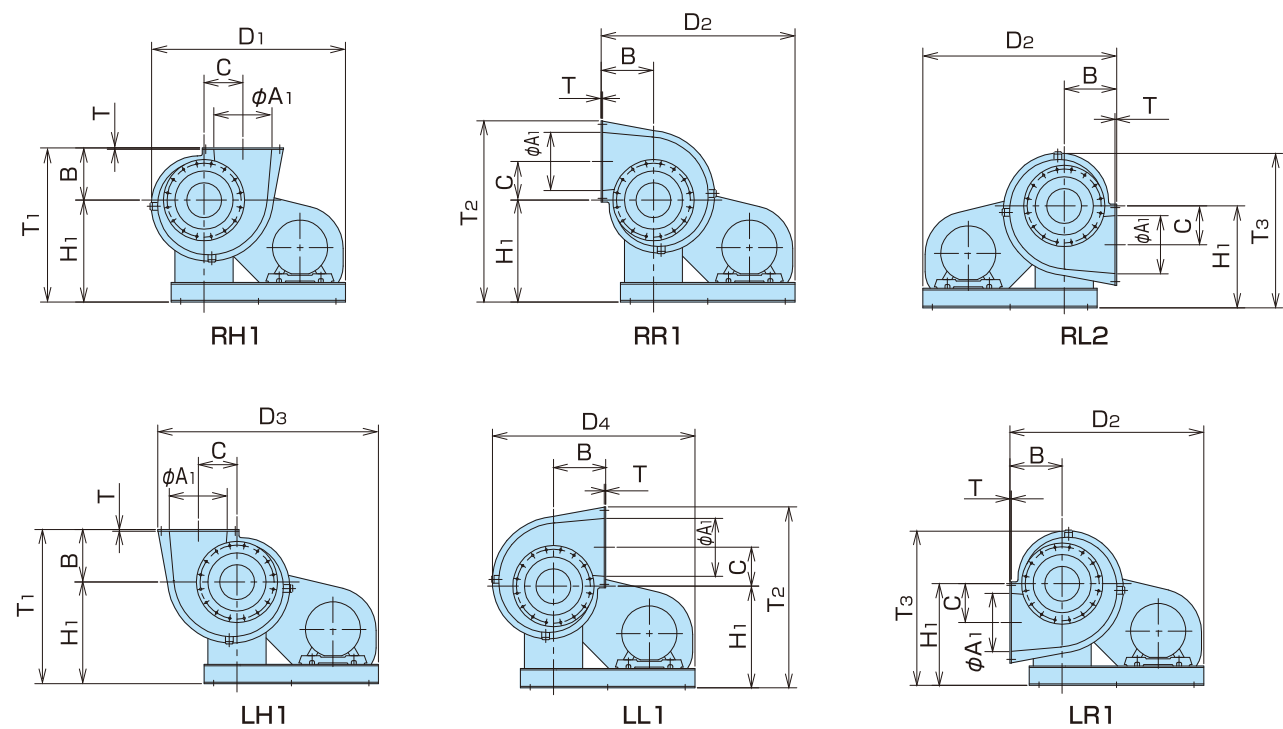
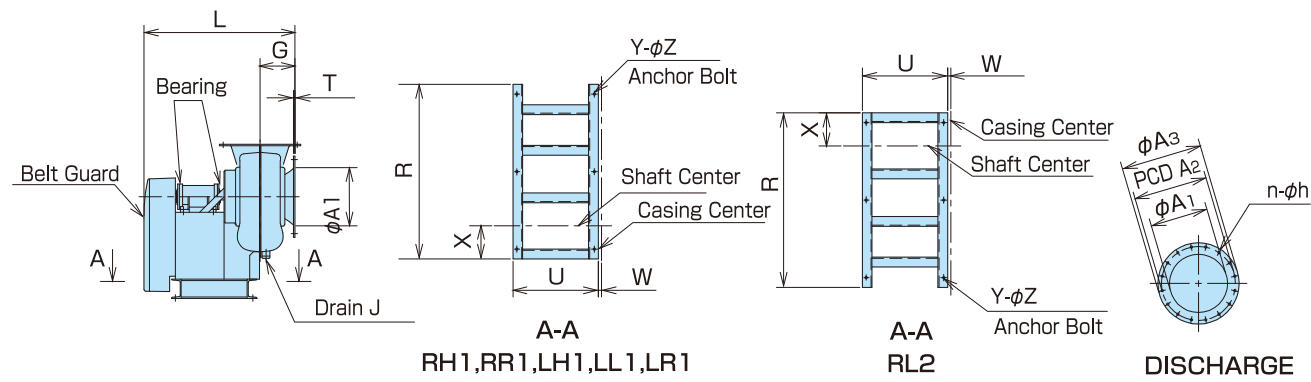


DIMENSIONS

FTF153·203·253/FTE151·201·251

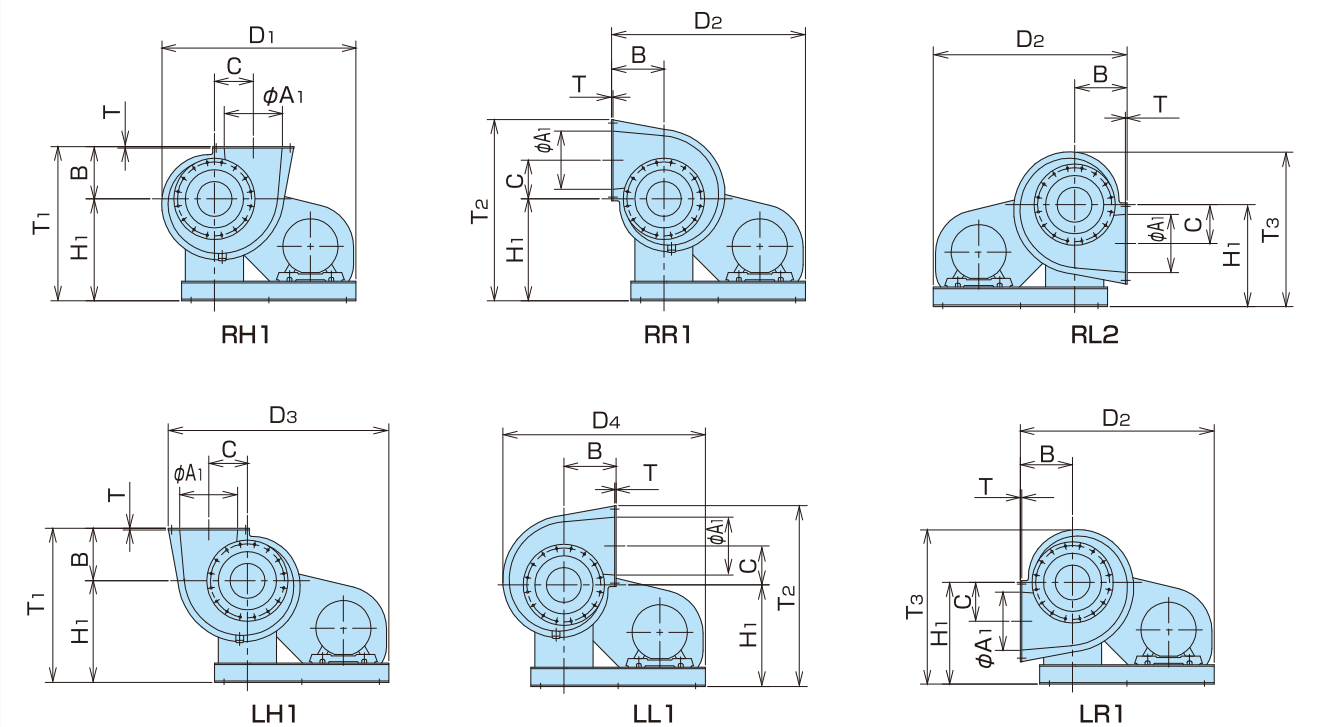
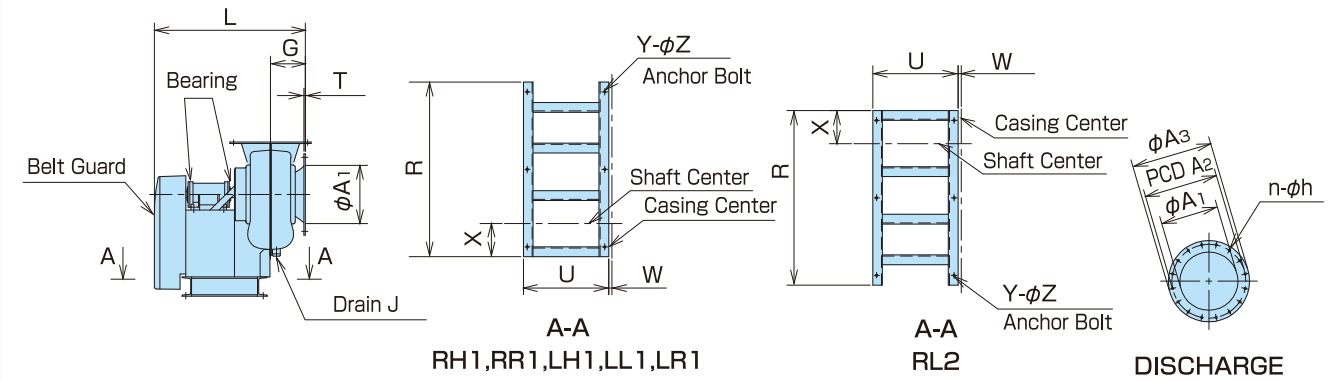


MODEL	CASING BODY													FLANGES					
	L	H ₁	B	C	D ₁	D ₂	D ₃	D ₄	T ₁	T ₂	T ₃	G	φA ₁	PCD A ₂	φA ₃	n	h	T	
FTF153 FTE151	23.4	15.7	7.9	5.9	32.0	31.5	35.4	33.3	23.6	27.5	24.1	5.3	8.9	10.4	11.7	12	0.4	0.2	
FTF203 FTE201	30.7	20.7	10.6	7.9	39.4	39.4	44.9	41.1	31.3	36.8	31.3	7.1	11.8	15.0	16.5	16	0.5	0.3	
FTF253 FTE251	33.7	23.6	13.4	9.8	48.3	48.6	55.3	50.4	37.0	43.7	36.7	8.9	14.8	19.0	20.5	20	0.6	0.3	

MODEL	DRAIN	BASE							BODY WEIGHT(lb)		BEARING	
		J	R	U	W	X	Y	Z	STANDARD	IMPELLER	PULLEY	
FTF153 FTE151	PF3/4"	29.1	12.8	1.0	3.5	0.2	0.5	127.9	6306	6305		
FTF203 FTE201	PF3/4"	35.4	17.3	0.7	4.7	0.2	0.5	209.5	6308	6307		
FTF253 FTE251	PF3/4"	43.3	18.1	0.8	6.1	0.2	0.6	260.2	6308	6307		

※BODY WEIGHT : Not Including Motor Weight.

FTF303·403/FTE301·401



MODEL	CASING BODY													FLANGES					
	L	H ₁	B	C	D ₁	D ₂	D ₃	D ₄	T ₁	T ₂	T ₃	G	φA ₁	PCD A ₂	φA ₃	n	h	T	
FTF303 FTE301	41.6	28.5	15.7	11.8	58.3	57.1	64.8	60.7	44.3	52.0	44.5	12.8	17.7	21.3	23.3	24	0.6	0.4	
FTF403 FTE401	48.4	33.5	20.9	15.7	70.9	68.5	77.2	75.6	54.3	63.0	54.4	15.0	23.6	26.0	27.6	28	0.6	0.4	

MODEL	DRAIN	BASE							BODY WEIGHT(lb)		BEARING	
		J	R	U	W	X	Y	Z	STANDARD	IMPELLER	PULLEY	
FTF303 FTE301	PF3/4"	51.2	22.0	0.2	7.9	0.2	0.6	396.9	6310	6308		
FTF403 FTE401	PF3/4"	59.1	25.2	0.6	9.1	0.2	0.7	573.3	6312	6310		

※BODY WEIGHT : Not Including Motor Weight.

