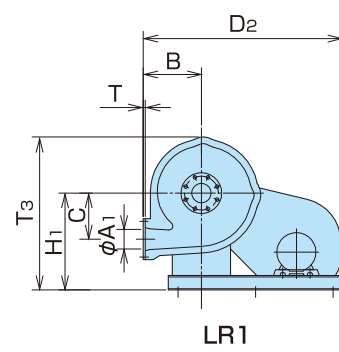
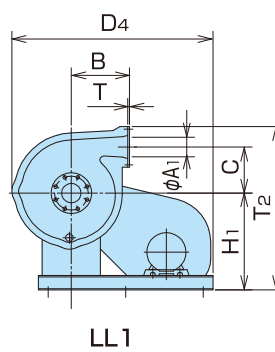
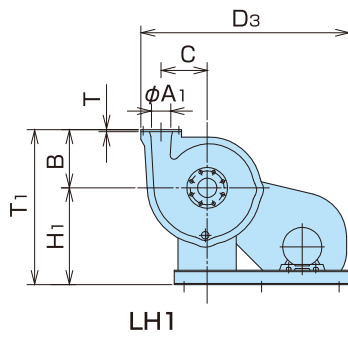
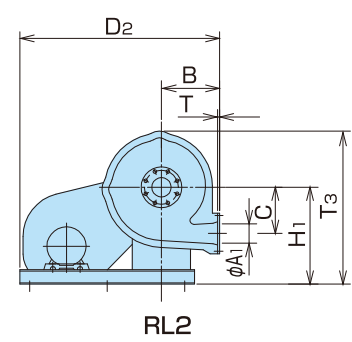
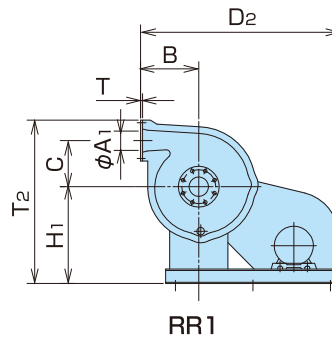
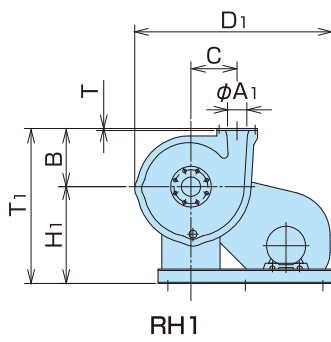
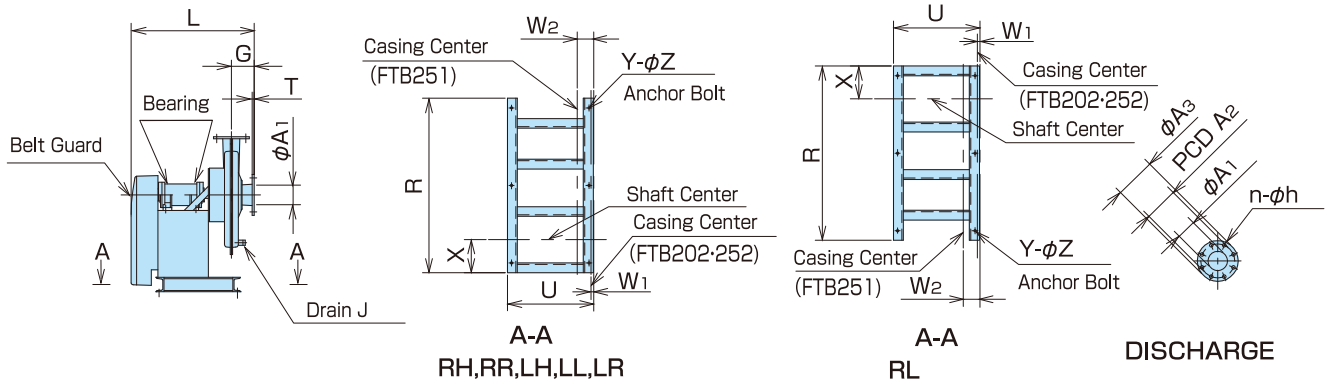


FTB202B·251B·252B

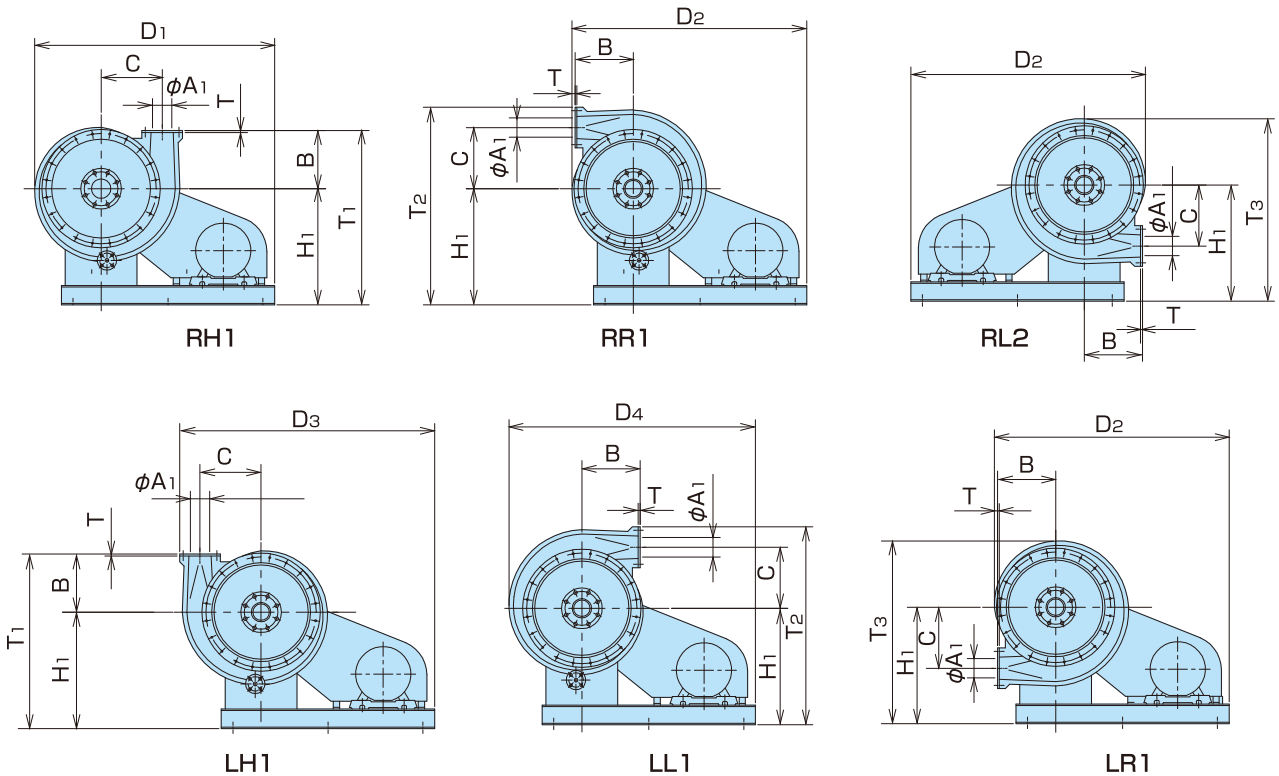
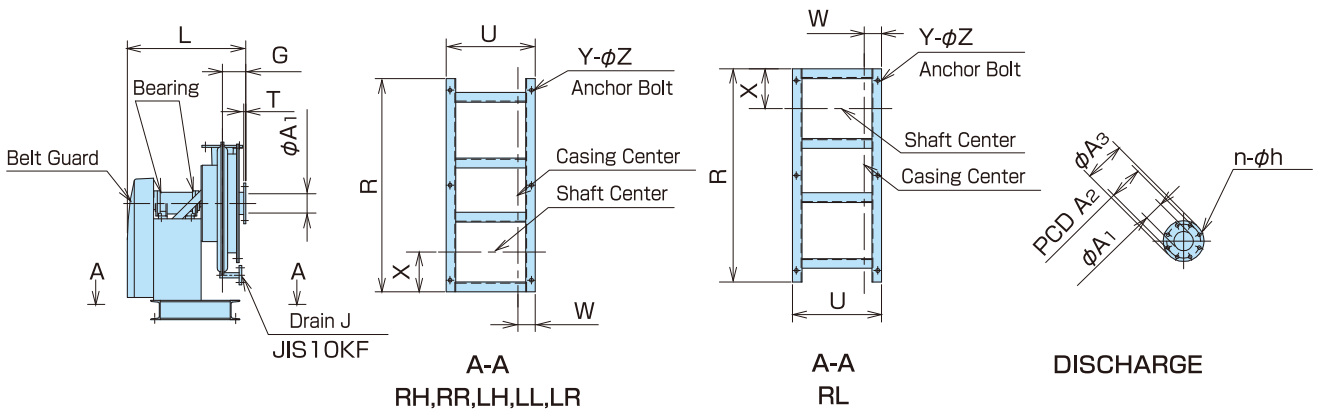


MODEL	CASING BODY													FLANGES					
	L	H ₁	B	C	D ₁	D ₂	D ₃	D ₄	T ₁	T ₂	T ₃	G	ϕA_1	PCD A ₂	ϕA_3	n	h	T	
	20.5	15.7	10.2	8.1	33.8	33.9	35.8	34.6	26.0	28.0	25.9	4.3	3.9	6.9	8.3	8	0.7	0.4	
	24.4	20.7	11.8	9.4	40.2	40.6	42.2	40.8	32.5	34.2	32.1	4.6	3.9	6.9	8.3	8	0.7	0.4	
	28.0	20.7	12.6	11.3	42.3	41.3	46.5	43.9	33.3	38.4	34.2	6.3	7.9	11.4	13.0	12	0.9	0.6	

MODEL	DRAIN	BASE							BODY WEIGHT(lb)	BEARING	
		J	R	U	W ₁	W ₂	X	Y		Z	STANDARD
	PF3/4"	29.1	12.8	0.1	-	3.5	0.2	0.5	121.3	6306	6305
	PF3/4"	35.4	17.3	-	2.0	4.7	0.2	0.5	196.2	6308	6307
	PF3/4"	35.4	17.3	0.2	-	4.7	0.2	0.5	207.3	6308	6307

※BODY WEIGHT : Not Including Motor Weight.

FTB301B·302B·351B·352B·401B

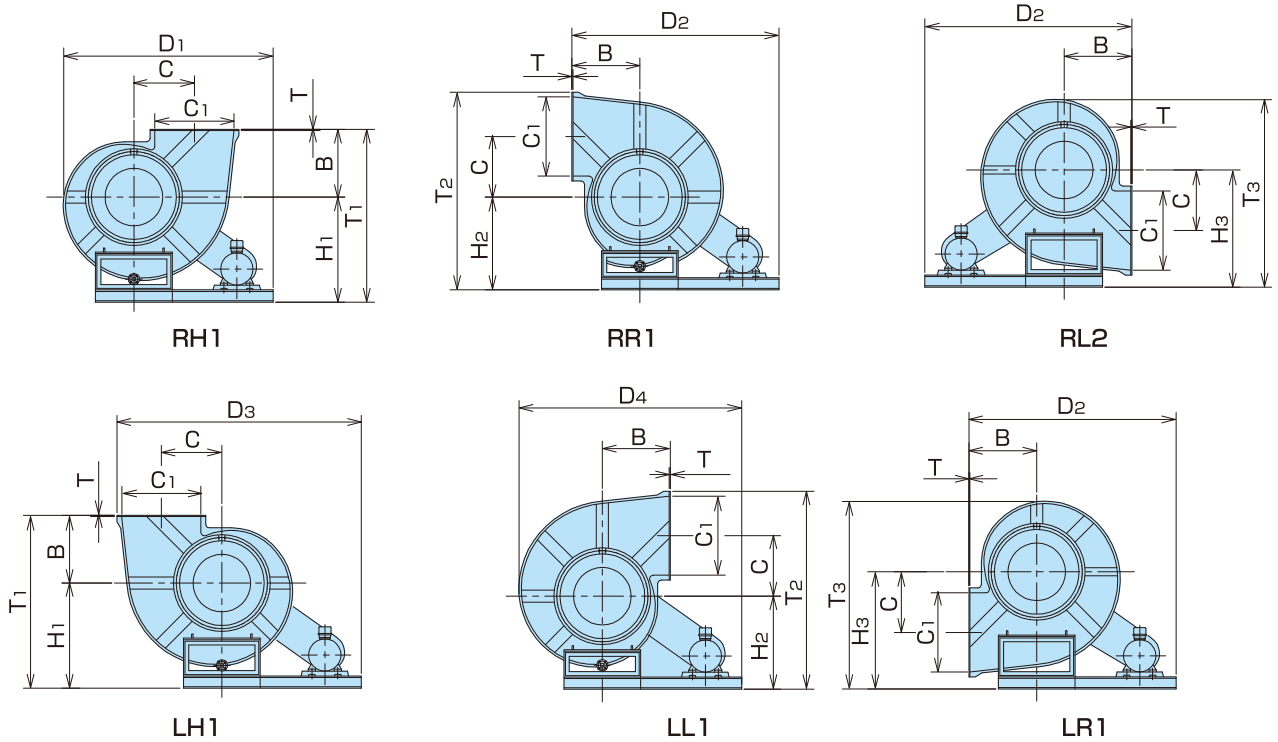
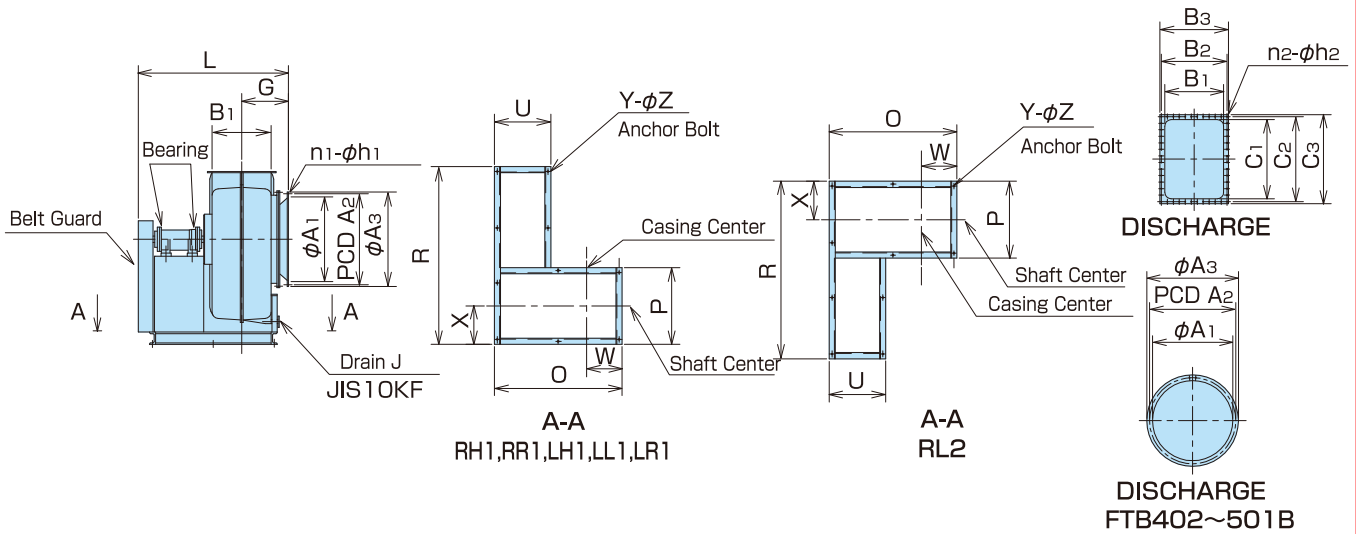


MODEL	CASING BODY											FLANGES						
	L	H ₁	B	C	D ₁	D ₂	D ₃	D ₄	T ₁	T ₂	T ₃	G	ϕA_1	PCD A ₂	ϕA_3	n	h	T
	24.0	23.6	11.8	12.4	48.7	47.7	51.8	50.0	35.4	40.2	37.1	4.7	3.9	6.9	8.3	8	0.7	0.4
	35.4	28.5	13.8	13.7	56.2	55.1	62.9	58.2	42.3	50.1	43.4	9.8	9.8	14.0	15.7	12	1.0	0.6
	28.5	28.5	15.7	14.2	56.7	57.1	62.0	58.3	44.3	49.2	43.9	5.9	7.9	11.4	13.0	12	0.9	0.6
	28.5	28.5	13.8	14.6	56.9	55.7	60.8	58.6	42.3	48.0	44.1	5.9	4.9	8.3	9.8	8	0.9	0.6
	31.7	28.5	15.7	16.9	58.9	57.5	66.1	60.9	44.3	53.3	46.1	7.5	9.8	14.0	15.7	12	1.0	0.6

MODEL	DRAIN	BASE						BODY WEIGHT (lb)		BEARING	
		J	R	U	W	X	Y	Z	STANDARD	IMPELLER	PULLEY
	J	3/4"	43.3	18.1	3.5	6.1	0.2	0.6	242.6	6308	6307
	R	1"	51.2	22.0	2.0	7.9	0.2	0.6	383.7	6310	6308
	U	1"	51.2	22.0	5.0	7.9	0.2	0.6	383.7	6310	6308
	W	1"	51.2	22.0	5.0	7.9	0.2	0.6	394.7	6310	6308
	X	1"	51.2	22.0	3.3	7.9	0.2	0.6	449.8	6310	6308

※BODY WEIGHT : Not Including Motor Weight.

FTB402B·403B·501B·601B·701B



MODEL	CASING BODY													FLANGES					
	L	H ₁	H ₂	H ₃	B	C	D ₁	D ₂	D ₃	D ₄	T ₁	T ₂	T ₃	G	φA ₁	PCD A ₂	φA ₃	n ₁	h ₁
	47.6	35.4	35.4	35.4	19.7	21.5	73.2	69.9	81.3	76.8	55.1	66.5	58.5	11.8	13.8	17.5	19.3	16	1.0
	47.6	35.4	35.4	35.4	19.7	21.5	73.2	69.9	81.3	76.8	55.1	66.5	58.5	11.8	13.8	17.5	19.3	16	1.0
	54.5	37.4	37.4	43.3	21.7	23.6	79.7	76.8	92.0	84.1	59.1	74.3	67.9	15.7	19.7	24.4	26.6	20	1.1
	64.0	45.3	45.3	51.2	25.6	29.9	98.2	93.5	112.0	103.7	70.9	89.4	81.5	17.7	23.6	26.8	28.3	24	0.6
	67.9	51.2	53.1	57.1	29.5	34.8	103.1	97.4	118.9	109.4	80.7	102.2	92.3	19.7	27.6	30.7	32.3	32	0.6

MODEL	FLANGES			DRAIN		BASE							BODY WEIGHT(lb)		BEARING						
	B ₁	B ₂	B ₃	C ₁	C ₂	C ₃	n ₂	h ₂	T	J	R	U	O	P	W	X	Y	Z	STANDARD	IMPELLER	PULLEY
	-	-	-	-	-	-	-	-	0.6	2"	63.0	23.6	36.4	25.6	7.6	12.8	0.3	0.7	837.9	6315	6313
	-	-	-	-	-	-	-	-	0.6	2"	63.0	23.6	36.4	25.6	7.6	12.8	0.3	0.7	837.9	6315	6313
	-	-	-	-	-	-	-	-	0.6	2"	68.9	23.6	43.7	27.6	11.0	13.8	0.3	0.7	992.3	6315	6313
	19.7	22.9	24.4	23.6	26.8	28.3	30	0.6	0.6	2"	86.6	27.6	53.9	37.4	13.6	18.7	0.4	0.9	1642.7	6320	6318
	23.6	26.6	28.3	27.6	30.7	32.3	38	0.6	0.6	2"	86.6	27.6	57.9	37.4	15.6	18.7	0.4	0.9	2039.6	6320	6318

※BODY WEIGHT : Not Including Motor Weight.